

# GENERATOR

## PARTS CATALOG

MODEL : SGA3001Ha

2000VA 220V 50Hz



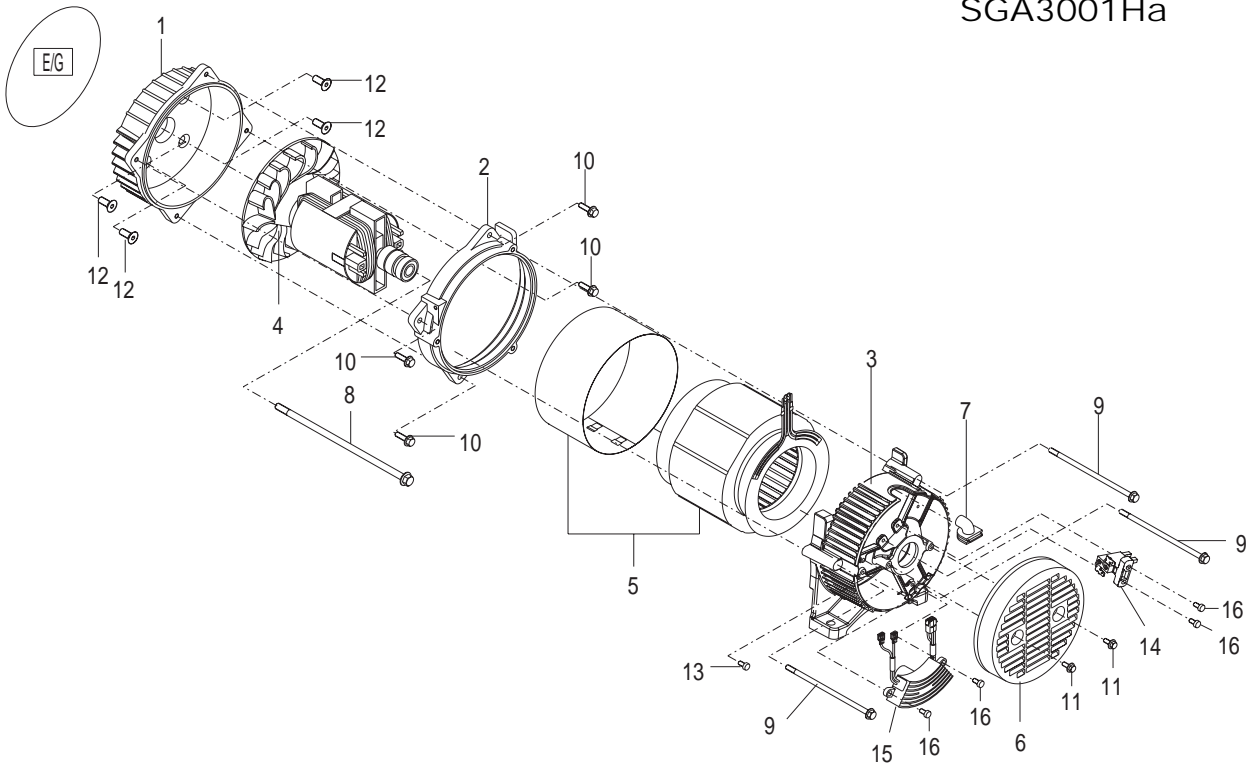
Ver.1

2007, 2

No. 2R-06166

# ALTERNATOR

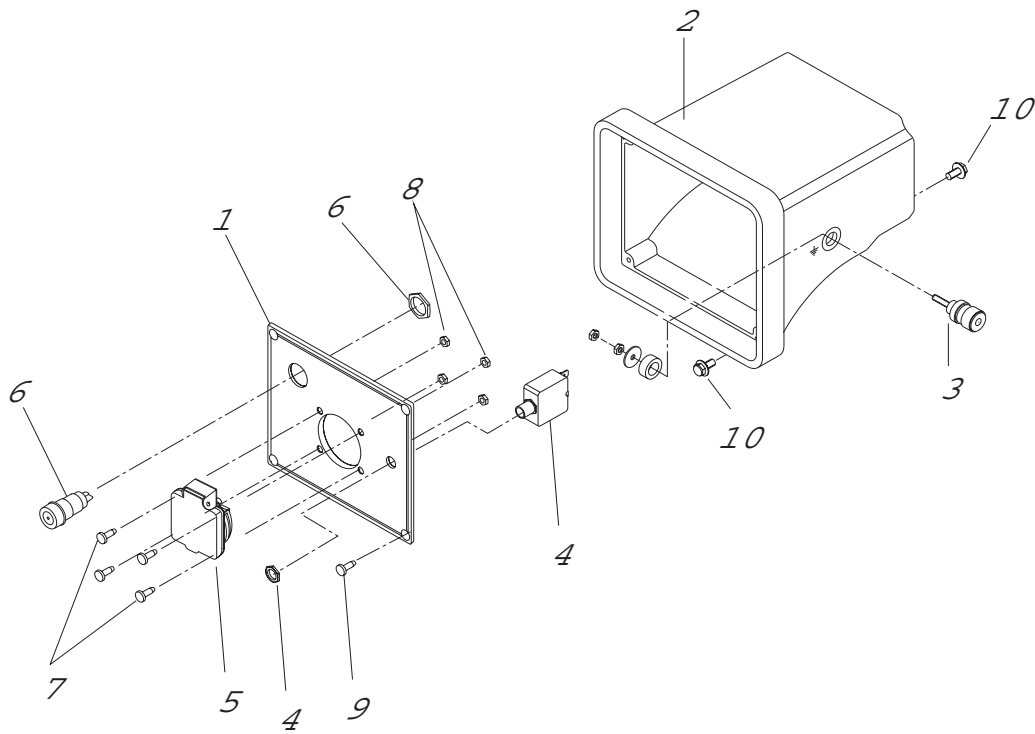
SGA3001Ha



REF No.	Parts No.	Parts name	Q'ty		Remarks
1	15111460000	BRACKET(1)	1		
2	15111462000	N-BRACKET	1		
3	15150096000	BRACKET(2)	1		
4	15200396000	ROTOR ASSY.	1		
5	15250314000	STATOR ASSY.	1		
6	15111471000	COVER, BRACKET	1		
7	15111472000	RUBBER BUSH	1		
8	15550194000	HEX, BOLT W/FLANGE (M8x222)	1		
9	15550187000	HEX, BOLT W/FLANGE (M6x140)	3		
10	19B30906020	HEX, BOLT W/FLANGE (M6x20)	4		
11	15550210000	HEX, BOLT W/FLANGE (M5x12)	2		
12	19B50908020	HEX, BOLT W/SOCKET,FLANGE (M8x20)	4		
13	19S00905007	CROSS-RECESSED HEAD SCREW (M5x7)	1		
14	15400197000	BRUSH	1		
15	15400196000	AVR UNIT	1		
16	15550211000	HEX, BOLT W/FLANGE (M5x16)	4		

CONTROL PANEL

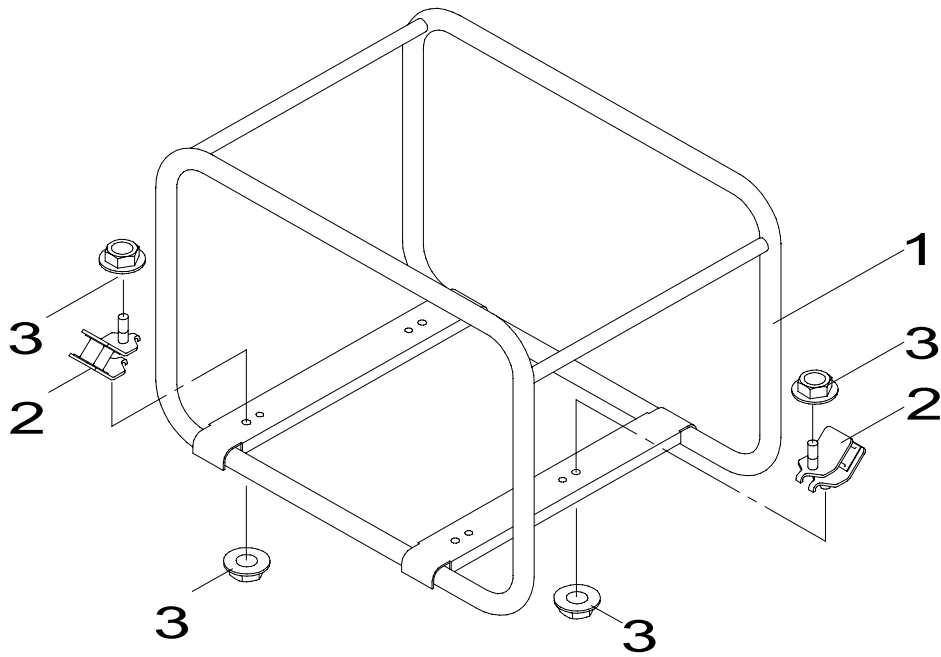
SGA3001Ha



REF No.	Parts No.	Parts name	Q'ty		Remarks
1	15450903000	PANEL	1		
2	15112580000	T-BOX (ORANGE)	1		
3	15111586000	EARTH TERMINAL	1		
4	15400190000	CIRCUIT BREAKER 1658 10A	1		
5	15400155000	RECEPTACLE OUTRET	1		
6	15400061000	NEON BRACKET	1		
7	19S22904012	SCREW, PAN HEAD (M4) WITH FLAT	4		
8	19N10904000	HEX, NUT W/FLANGE (M4)	4		
9	19S21904012	TAPPING SCREW (M4x12)	4		
10	19B30905010	HEX, BOLT W/FLANGE (M5x10)	4		

FRAME

SGA3001Ha



REF No.	Parts No.	Parts name	Q'ty		Remarks
1	15211670002	FRAME	1		
2	19500691000	ANTI-VIBRATION RUBBER	4		
3	19N10908000	HEX, NUT W/FLANGE (M8 × 1.25)	8		